

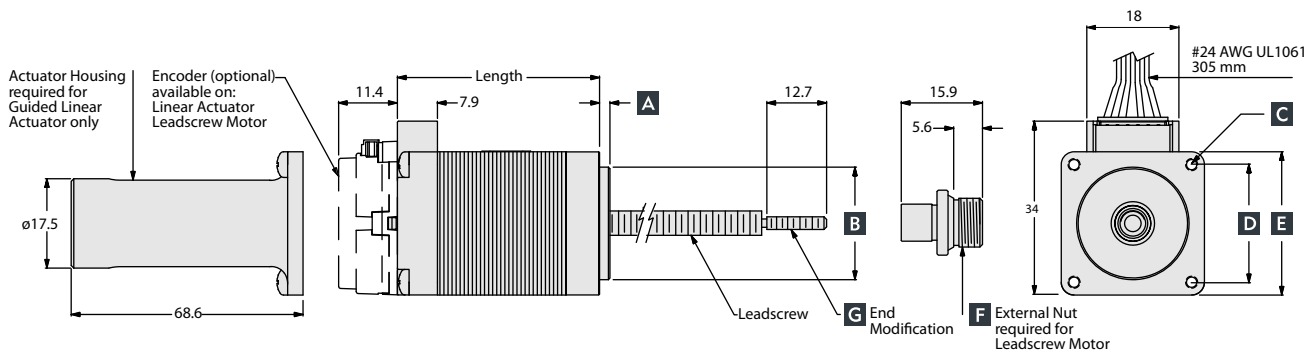
The **APPS11M** is a 28mm / NEMA 11 frame, hybrid stepper-based actuator. The APPS11M is available in standard or custom designs as a linear actuator (non-captive), leadscrew motor (external linear), or guided linear actuator (captive). A variety of resolutions are offered, ranging from 0.006 to 0.016 mm per step, with an output force of up to 151 N (34 lbs.)



APPS11M STEPPER LINEAR ACTUATOR

Size	NEMA 11
Force	58 N (13 lbs.) to 151 N (34 lbs.)

Model	A	B	C	D	E	F	G
	Pilot Length	Pilot Diameter	Mount Hole Callout	Mount Hole Spacing	External Flange Dimension	External Nut Thread	Screw End Mod
APPS11M-7	2.0 mm	22.00 +0.00 / -0.03 mm	M2.5 x 0.45 mm dia 3.5 mm Deep	23 mm	28 mm	M10 x 1.0	6-32 UNF
APPS11M-10							M2.4 x 0.45
							0.098 / 0.097 in (2.5 mm) Dia Journal



APPS11M

ElectroCraft AxialPower™ Plus

STEPPER LINEAR ACTUATOR



APPS11M Model Number Example

Model Number	Length (in)	Length (mm)	Weight (g)	Rotor Inertia (g-cm ²)
APPS11M-7A	1.24	31.5	110	8.69
APPS11M-10A	1.56	39.6	145	12.36

Thread Description	Lead (in)	Lead (mm)	Travel/Step (in)	Travel/Step (mm)	Max Force APPS11M-7 (lbs)	Max Force APPS11M-7 (N)	Max Force APPS11M-10 (lbs)	Max Force APPS11M-10 (N)
D 3/16-20 (15)	0.050	1.270	0.000250	0.006350	24	107	34	151
L 3/16-24 (35)	0.125	3.175	0.000630	0.016000	13	58	20	89

APPS 11M - 7 A 05 - 0 D C 2 1 - X

Actuator Type	
0	Linear Actuator
1	Leadscrew Motor
2	Guided Linear Actuator

Lead Termination	
0	Flying Leads
1	Leads w/Connector
2	Integral Connector

Feedback	
X	No Encoder

Windings	Rated Voltage (VDC)	Rated Current (A)	Phase Resistance (Ohm)	Phase Inductance (mH)
7A05	5.00	0.50	10.00	6.80
7A10	2.50	1.00	2.50	1.50
7A15	1.70	1.50	1.10	0.70
10A05	6.20	0.50	12.4	9.10
10A10	3.10	1.00	3.10	2.60
10A15	2.10	1.50	1.40	1.00

Leadscrew End Features	
0	No End Feature
1	6-32 UNC x 12.7mm
2	M2.5 x 0.45 x 12.7mm
3	Ø.098/Ø.097 x 12.7mm

Screw Length	
X	No Leadscrew
A	76.2mm (3 inches)
B	152.4mm (6 inches)
C	304.8mm (12 inches)



Your Genius. Our Drive.

ElectroCraft, Inc.
250 McCormick Road,
Gallipolis, Ohio 45631

Tel: (844) 338-8114
Fax: (812) 385-3013

Email: sales@electrocraft.com
www.electrocraft.com

APPS11M Performance Curves

